

Adaptor JXCer-C-11

The adaptor is designed for **Jirous antennas** (of the required frequency band) and allows the installation of **Ceragon** and **Cambium** radio units. The adaptor allows fine adjustment of the polarization (attribute of OMT).

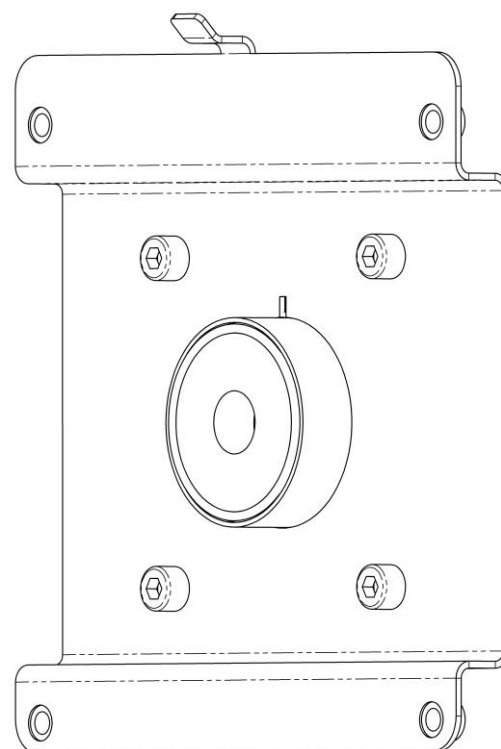
Technical parameters:

Frequency band	10 - 12 GHz
Polarization adjustment	yes - according OMT
Insert loss	< 0,1 dB
Waveguide	Circular
Material	Aluminum alloy with high corrosion protection Stainless steel
Weight	1 kg (2.2 lbs)
Package size/weight	220x235x50 mm / 1kg (2.2 lbs)

Compatible radio units:

Ceragon: all XPIC radio units (model name contains the letter **C**, e.g. IP-20C, IP-50C, ...)
Use the original Ceragon OMT.

Cambium: all XPIC radio units (model name contains the letter **C**, e.g. PTP-820C, PTP-850C, ...)
Use the original Cambium OMT.



the adaptor

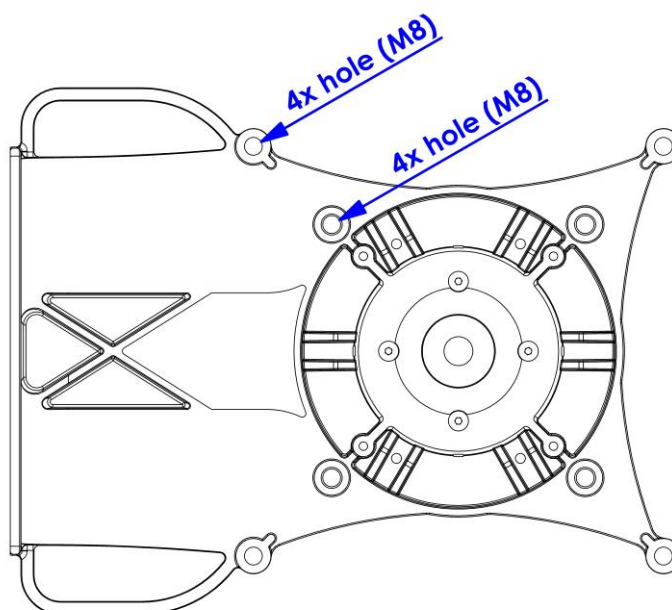
Adaptor JXCer-C-11

Suitable antennas:

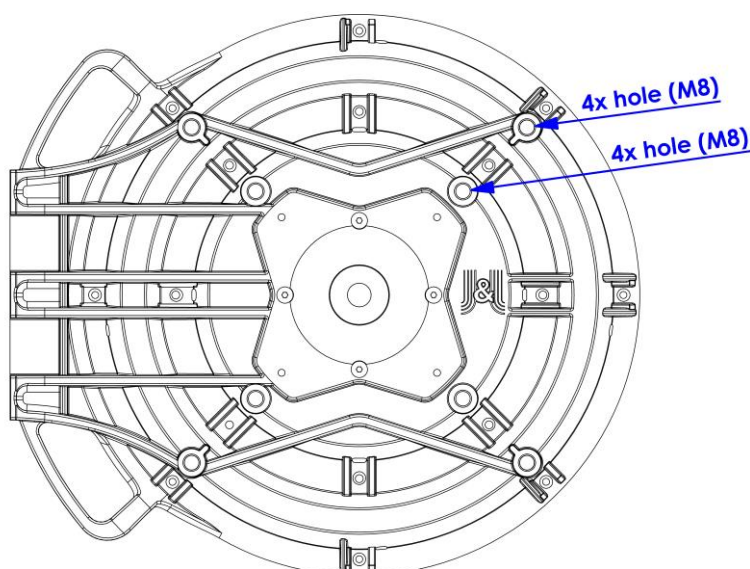
Adaptors require mounting holes M8 at antenna (see pictures below). All Jirous antennas since the year 2022 are compatible.

When you would like to use older Jirous antenna which is not on the list below, please use JXCer MK.

400 mm / 1 ft antennas
with back part:

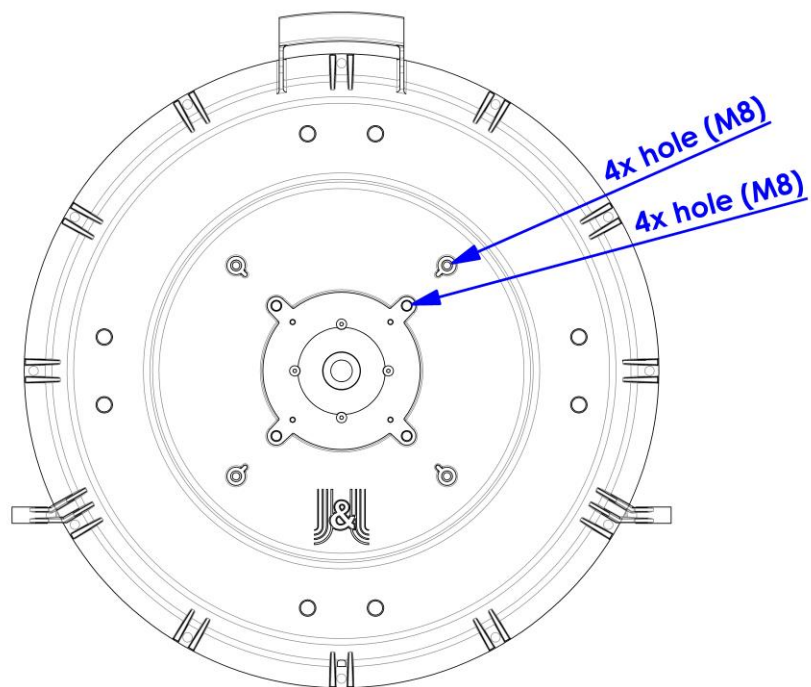


680 and 900 mm / 2 and 3 ft
antennas with back part:



Adaptor JXCer-C-11

1200 mm / 4 ft antennas
with back part:



1800 mm / 6 ft antennas
with back part:

